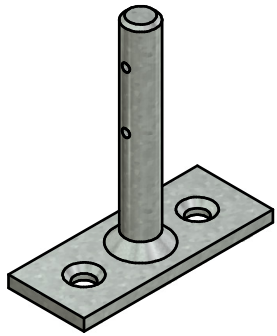
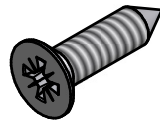


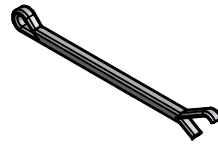
ROLL UP BLIND PARTS LIST (QTY'S PER DOOR)			
ITEM	QTY	PART NUMBER	DESCRIPTION
1	6	FIT-RUBB	ROLL UP BLIND FIXING BRACKET
2	12	BF-WS8X15	POZI CSK WOODSCREW 4mm x 40mm LG
3	3	AL-STRAP1MDR	ROLL UP BLIND PRE-DRILLED ALITRAP
4	1	SU-CA515PEICE	COATED PP CURTAIN
5	3	AL-INFBASE1M	PVC "U" PROFILE
6	3	AL-INFTOP1M	PVC "T" PROFILE
7	6	BF-RCLIP	40mm LONG CLIPS



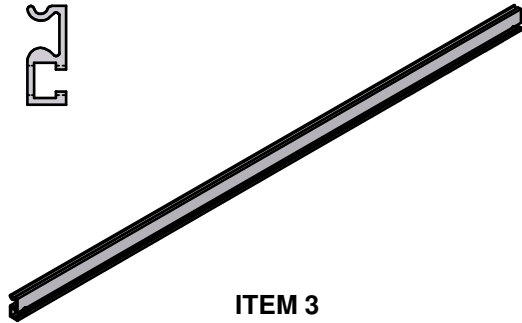
ITEM 1



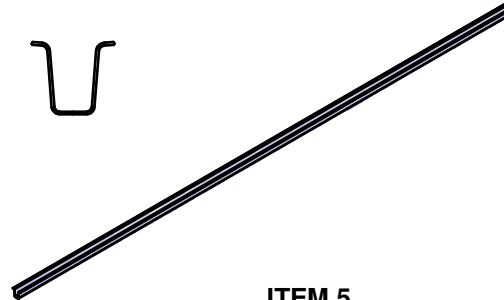
ITEM 2



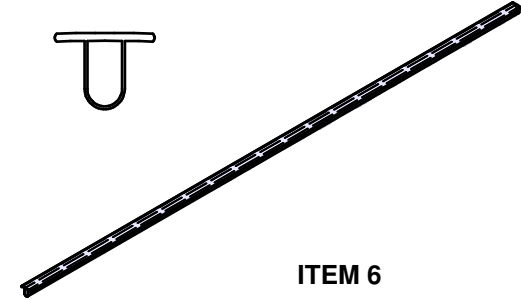
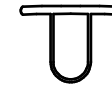
ITEM 7



ITEM 3



ITEM 5



ITEM 6

COPYRIGHT © NP STRUCTURES

SECTION 7.3 - ROLL UP BLIND OPTION (OPT-RUB)

PAGE 7.3.1 - PARTS REQUIRED

ROLL OUT BLIND AND FIT INTO ALI TRAP AS SHOWN IN FIG. 7.3.2 AT THE TOP AND BOTTOM OF THE BLIND.

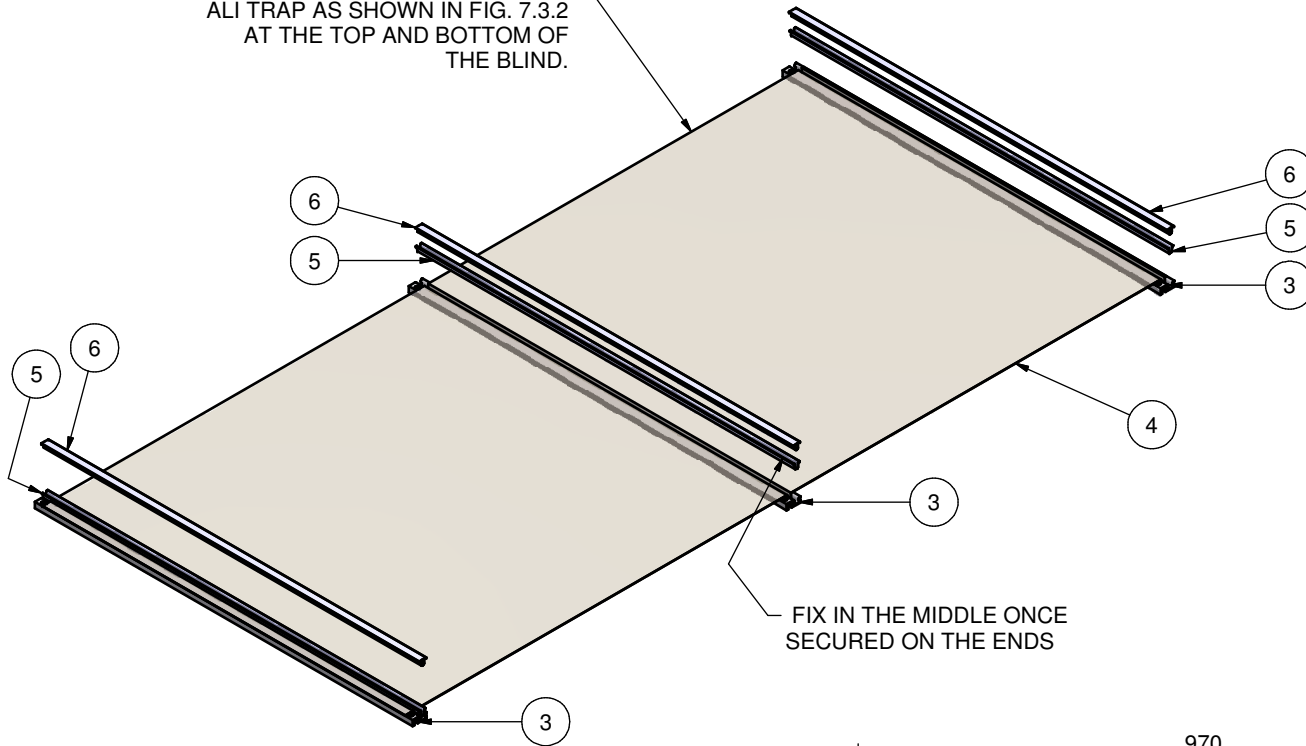


FIG. 7.3.1
CONSTRUCTING THE BLIND

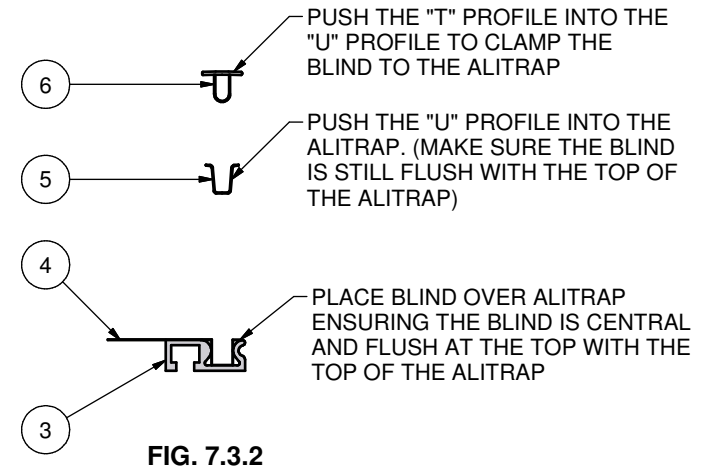


FIG. 7.3.2

**COPYRIGHT ©
NP STRUCTURES**

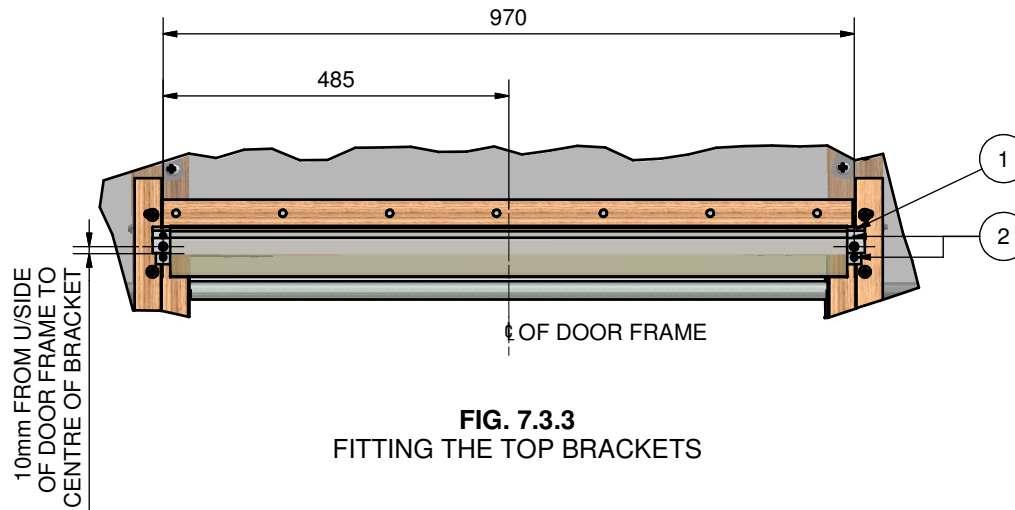


FIG. 7.3.3
FITTING THE TOP BRACKETS

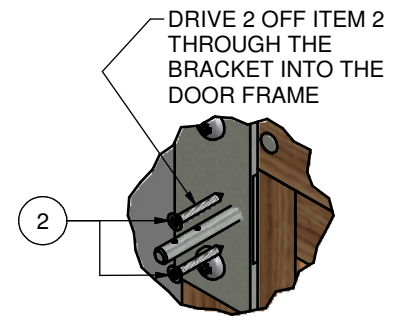
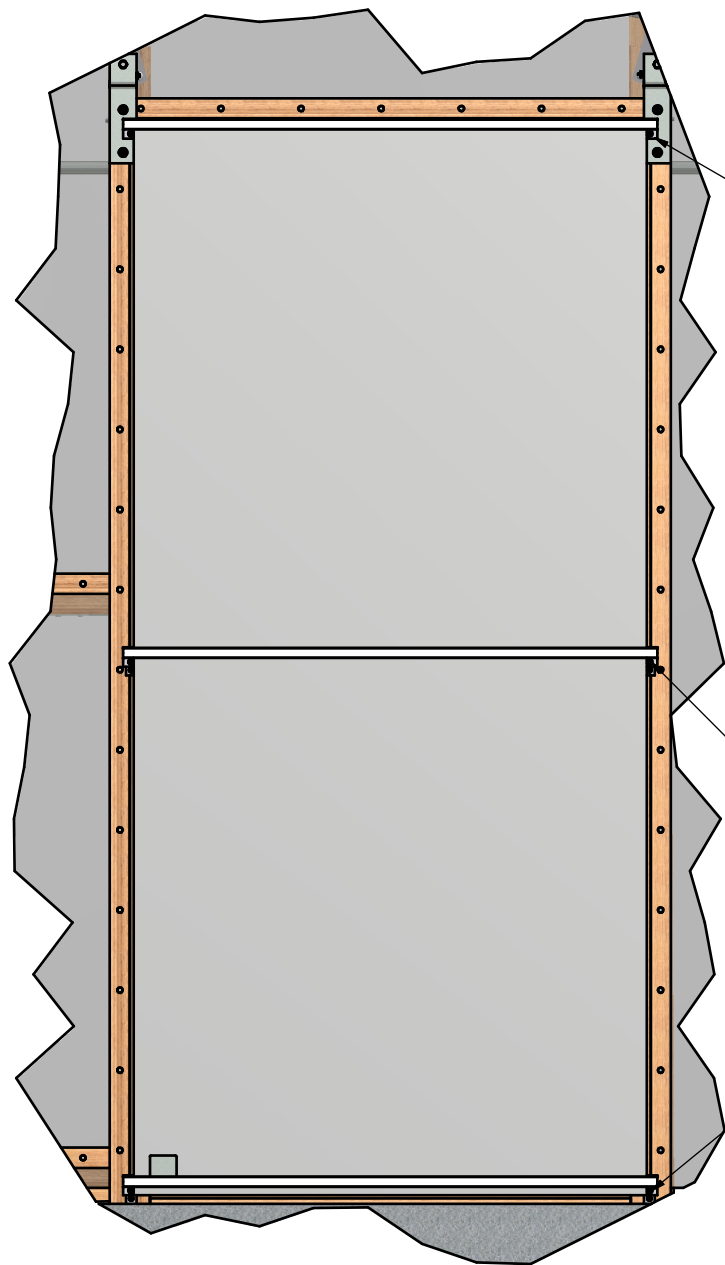


FIG. 7.3.4
BRACKET FIXING DETAIL

SECTION 7.3 - ROLL UP BLIND OPTION (OPT-RUB)

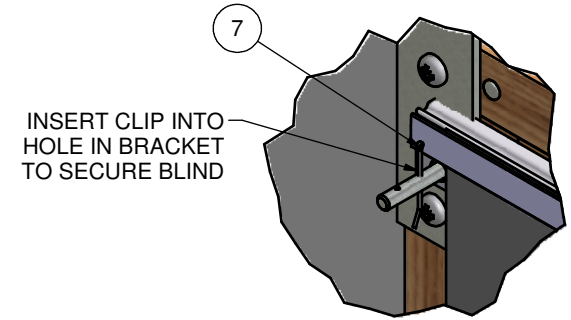


1. HANG THE BLIND ON THE TOP BRACKETS AND ALLOW TO DROP.

2. MARK THROUGH HOLES IN ALITRAP ONTO THE DOOR FRAME AND ATTACH THE BRACKETS (ITEM 1) IN PLACE

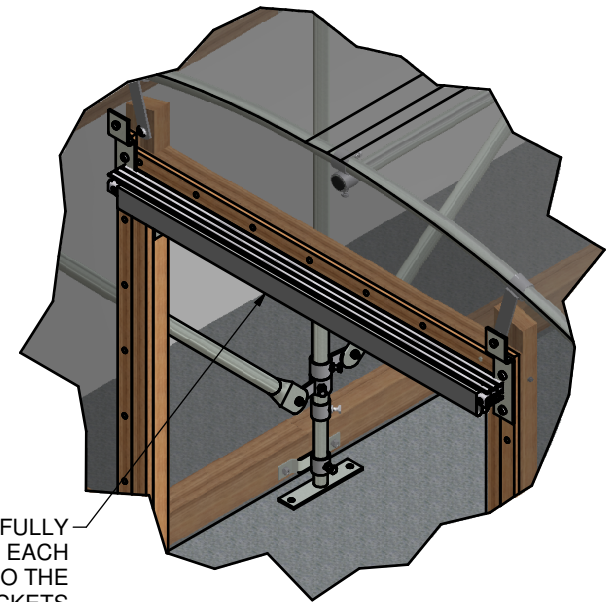
FIG. 7.3.5

COPYRIGHT ©
NP STRUCTURES



INSERT CLIP INTO HOLE IN BRACKET TO SECURE BLIND

FIG. 7.3.6
SECURING THE BLIND



TO OPEN DOOR WAY UP FULLY
ROLL THE BLIND UP TO EACH
ALITRAP AND SLIDE ONTO THE
TOP BRACKETS

FIG. 7.3.7
BLIND IN THE "UP" POSITION

SECTION 7.3 - ROLL UP BLIND OPTION (OPT-RUB)

PAGE 7.3.2 - INSTALLATION